

## PORTFOLIO & PRODUCT DESCRIPTION

### TRI® RAPTOR



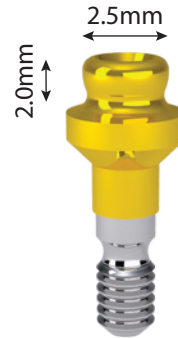
**Bone-Level Implant  
TRI®-Vent**

1mm | 2mm | 3mm  
4mm | 5mm | 6mm



**Tissue-Level Implant  
TRI®-Octa**

0mm | 1mm | 2mm  
3mm | 4mm | 5mm



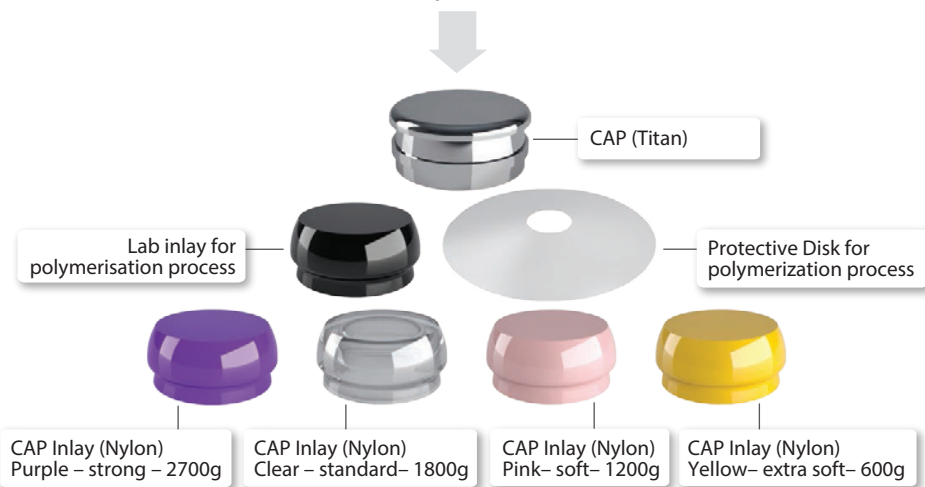
**Narrow Implant  
TRI®-Narrow**

1mm | 2mm | 3mm  
4mm | 5mm

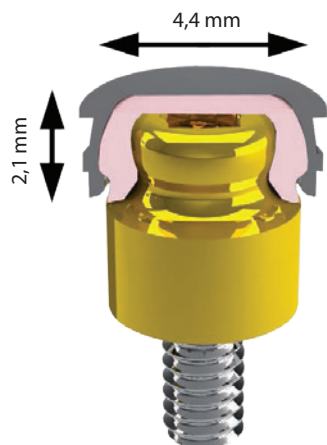
- Internal Thread and Hexagon. Internal hex compatible with all TRI® hex prosthetic drivers (1.25mm)
- Titanium Nitrid Coating for maximum longevity (1600 Vickers)
- Lowest and smallest overdenture system on the market
- More flexibility of the abutment in the housing

### INCLUDED WITH TRI RAPTOR IS ALWAYS A CAPS ASSORTMENT KIT

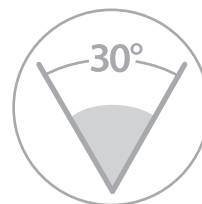
#### Components



### CAP DIMENSIONS



### ANGULATION



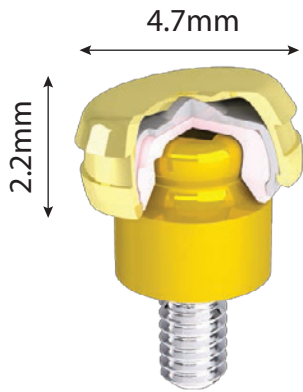
**30° DEGREES**  
Divergencies

**SMART BOX** (needs to be ordered separate)

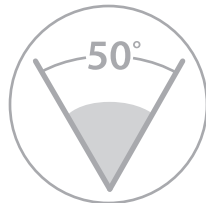
**Components**



**CAP DIMENSIONS**

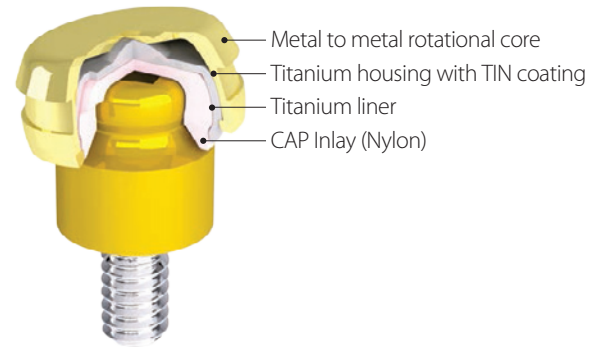


**ANGULATION**

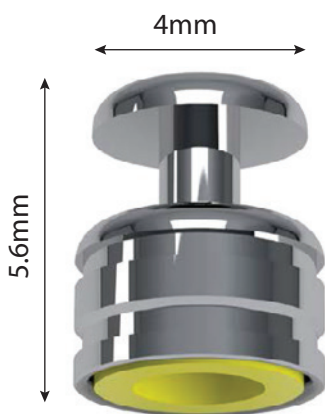


**50° DEGREES**  
Divergencies

**EXPLANATION**



**TRANSFER FOR IMPRESSION**



- One Transfer for all 3 implant lines (Vent, Octa, Narrow)
- Stainless

**ANALOG FOR LAB**



- One Analog for all 3 implant lines (Vent, Octa, Narrow)
- Stainless

**INSERTION & EXTRACTOR TOOL**



## PRODUCT CODES

<b>Products TRI®-Vent</b>		<b>GH</b>	<b>Material</b>	<b>Qty</b>
130CV.01	TRI® Raptor Abutment - includes Caps Assortment Kit (192ECE)	1.0 mm	TiN	1
130CV.02	TRI® Raptor Abutment - includes Caps Assortment Kit (192ECE)	2.0 mm	TiN	1
130CV.03	TRI® Raptor Abutment - includes Caps Assortment Kit (192ECE)	3.0 mm	TiN	1
130CV.04	TRI® Raptor Abutment - includes Caps Assortment Kit (192ECE)	4.0 mm	TiN	1
130CV.05	TRI® Raptor Abutment - includes Caps Assortment Kit (192ECE)	5.0 mm	TiN	1
130CV.06	TRI® Raptor Abutment - includes Caps Assortment Kit (192ECE)	6.0 mm	TiN	1
192ECE	Caps Assortment Kit		Ti, Nylon	1
335SBC	Smart Box Kit		Ti, Nylon	1
144AE	Analog for Lab		Stainless	2
044CAIN	Transfer for Impression		Stainless	2
085IAC	TRI® Raptor Insertion and Extractor Tool for caps			

<b>Products TRI®-Octa</b>		<b>GH</b>	<b>Material</b>	<b>Qty</b>
130BFT.00	TRI® Raptor Abutment - includes Caps Assortment Kit (192ECE)	0.0 mm	TiN	1
130BFT.01	TRI® Raptor Abutment - includes Caps Assortment Kit (192ECE)	1.0 mm	TiN	1
130BFT.02	TRI® Raptor Abutment - includes Caps Assortment Kit (192ECE)	2.0 mm	TiN	1
130BFT.03	TRI® Raptor Abutment - includes Caps Assortment Kit (192ECE)	3.0 mm	TiN	1
130BFT.04	TRI® Raptor Abutment - includes Caps Assortment Kit (192ECE)	4.0 mm	TiN	1
130BFT.05	TRI® Raptor Abutment - includes Caps Assortment Kit (192ECE)	5.0 mm	TiN	1
192ECE	Caps Assortment Kit		Ti, Nylon	1
335SBC	Smart Box Kit		Ti, Nylon	1
144AE	Analog for Lab		Stainless	2
044CAIN	Transfer for Impression		Stainless	2
085IAC	TRI® Raptor Insertion and Extractor Tool for caps			

<b>Products TRI®-Narrow</b>		<b>GH</b>	<b>Material</b>	<b>Qty</b>
130TN.01	TRI® Raptor Abutment - includes Caps Assortment Kit (192ECE)	1.0 mm	TiN	1
130TN.02	TRI® Raptor Abutment - includes Caps Assortment Kit (192ECE)	2.0 mm	TiN	1
130TN.03	TRI® Raptor Abutment - includes Caps Assortment Kit (192ECE)	3.0 mm	TiN	1
130TN.04	TRI® Raptor Abutment - includes Caps Assortment Kit (192ECE)	4.0 mm	TiN	1
130TN.05	TRI® Raptor Abutment - includes Caps Assortment Kit (192ECE)	5.0 mm	TiN	1
192ECE	Caps Assortment Kit		Ti, Nylon	1
335SBC	Smart Box Kit		Ti, Nylon	1
144AE	Analog for Lab		Stainless	2
044CAIN	Transfer for Impression		Stainless	2
085IAC	TRI® Raptor Insertion and Extractor Tool for caps			